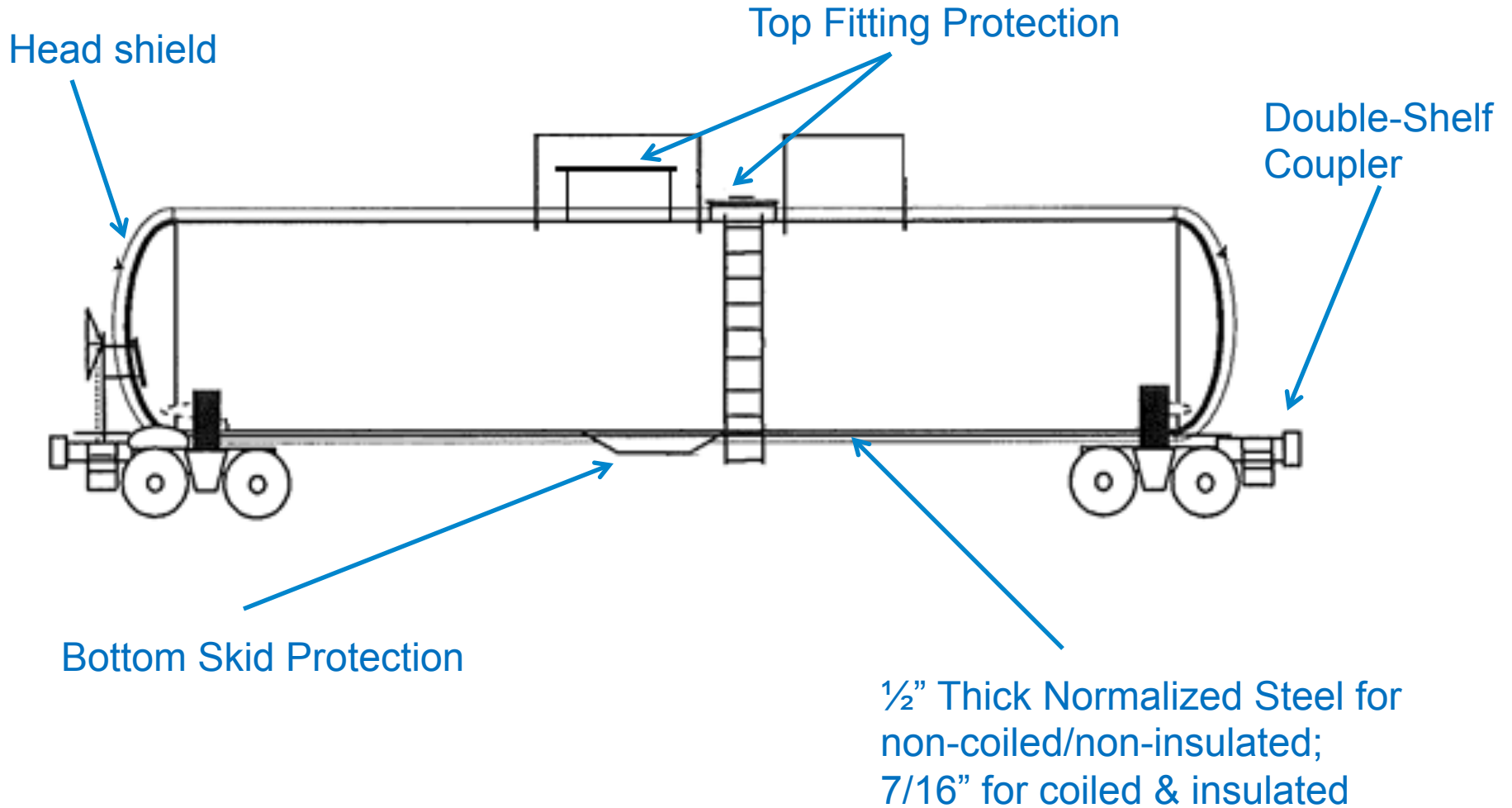


# Enhanced Railcar Design



# Comparison of Railcars



## Traditional DOT-111 Railcar

- exposed top fittings
- exposed bottom fittings



## Enhanced Railcar Design

- top-fitting rollover protection
- bottom skid protection